

REPAIR PARTS MANUAL
MODEL NO. 165H107RB (BA165H107RBD)
Lawn Tractor

McCULLOCH^{PM}

HOW TO USE THIS MANUAL

This manual is designed to provide the customer with a means to identify the parts on his/her tractor when ordering repair parts. The illustrations may or may not represent the actual assemblies; therefore, it is not recommended to use this manual as a guide to assemble or disassemble the tractor. Some hardware and parts are drawn larger in order to more readily identify them.

Each tractor has its own model number.

The model number for your tractor can be found on the fender under the seat.

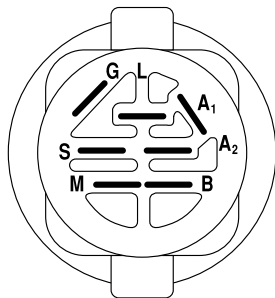
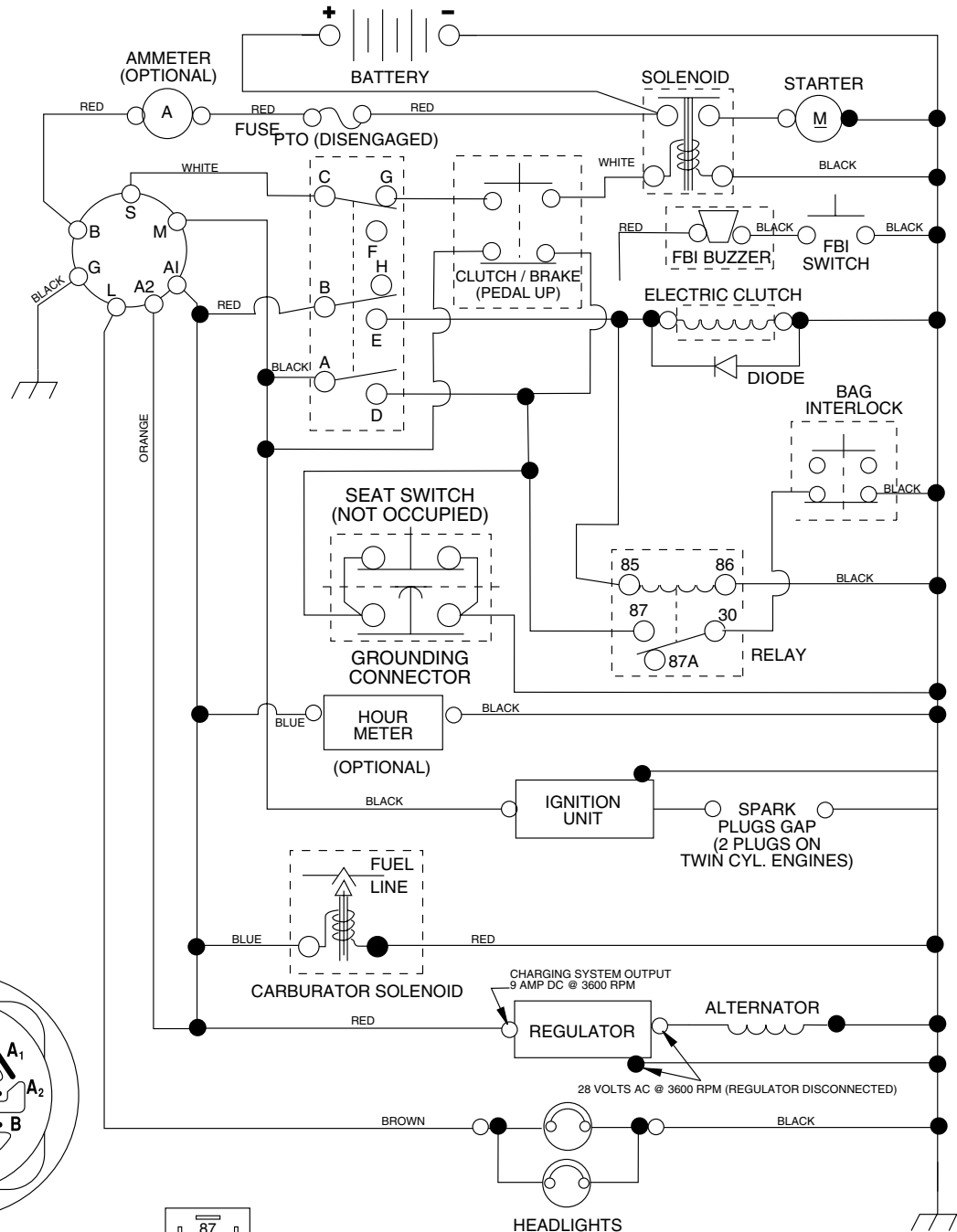
When ordering parts, always give the following information:

- Product - "Tractor"
- Model Number - "165H107RB" (BA165H107RBD)
- Part Number
- Part Description

TABLE OF CONTENTS

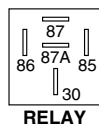
SCHEMATIC	3
ELECTRICAL.....	4-5
CHASSIS.....	6-7
DRIVE.....	8-9
STEERING	10-11
SEAT	12
DECALS.....	13
ENGINE.....	14-15
MOWER LIFT	16-17
MOWER DECK	18-19
BAGGER	20-21
WARRANTY.....	23

TRACTOR- -MODEL NO. 165H107RB (BA165H107RBD), PRODUCT 964 77 27-02 SCHEMATIC

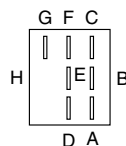


IGNITION SWITCH

POSITION	CIRCUIT	"MAKE"
OFF	M+G+A1	NONE
RUN/LIGHT	B+A1	A2+L
RUN	B+A1	NONE
START	B + S + A1	NONE



RELAY



PTO SWITCH

POSITION	CIRCUIT
OFF	C + G, B + H
ON	C + F, B + E, A + D

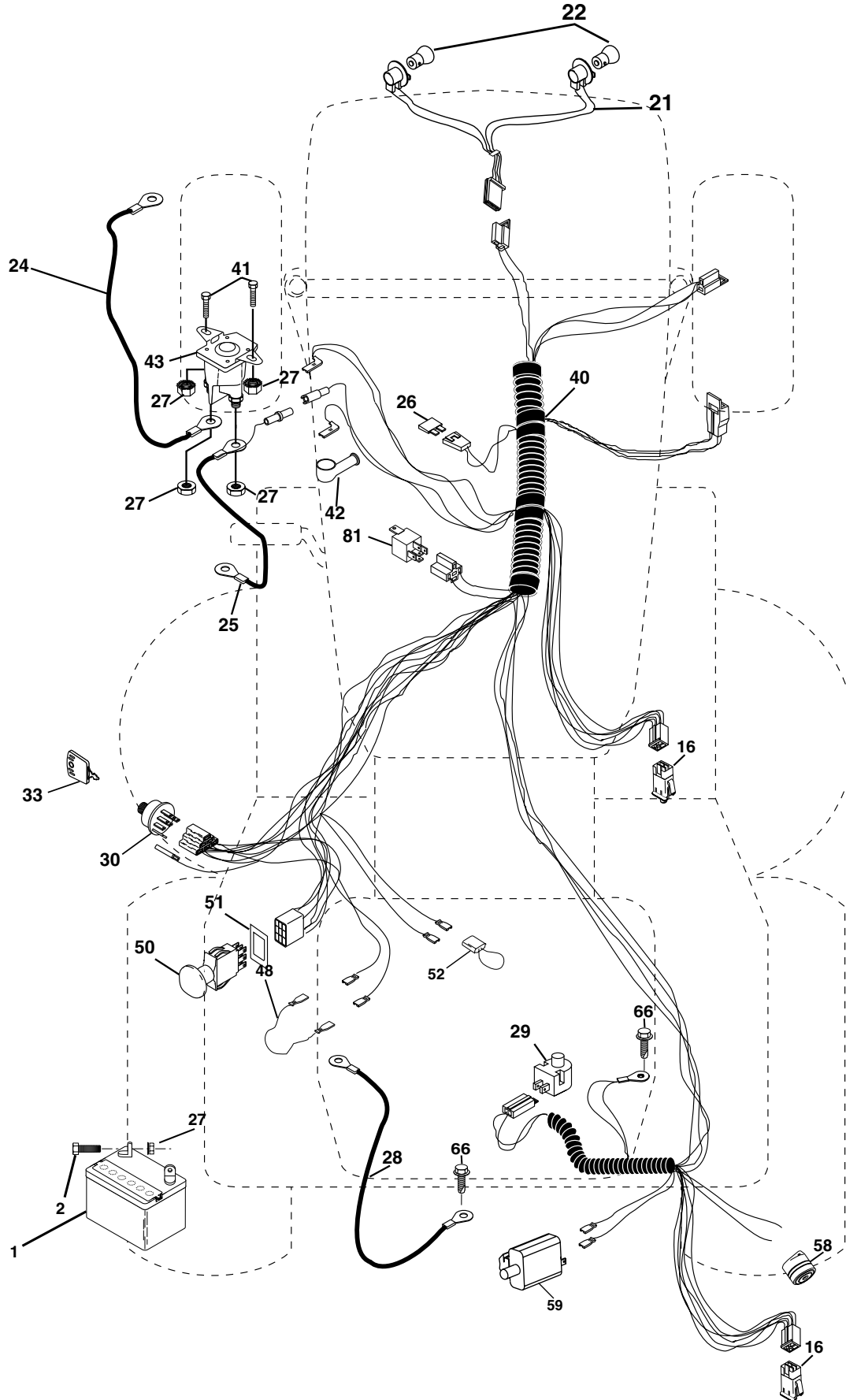
●
NON-REMOVABLE CONNECTIONS

○
REMOVABLE CONNECTIONS

WIRING INSULATED CLIPS
NOTE: IF WIRING INSULATED CLIPS WERE REMOVED FOR SERVICING OF UNIT, THEY SHOULD BE REPLACED TO PROPERLY SECURE YOUR WIRING.

REPAIR PARTS

TRACTOR- -MODEL NO. 165H107RB (BA165H107RBD), PRODUCT 964 77 27-02
ELECTRICAL



REPAIR PARTS

TRACTOR- -MODEL NO. 165H107RB (BA165H107RBD), PRODUCT 964 77 27-02
ELECTRICAL

KEY NO.	PART NO.	DESCRIPTION
1	532 16 34-65	Battery
2	874 76 04-12	Bolt Hex Hd 1/4-20 unc x 3/4
16	532 17 61-38	Switch Interlock
21	532 18 37-59	Harness Asm Light W/4152J
22	532 00 41-52	Bulb Light #1156
24	532 12 47-80	Cable Starter 6 Ga. 11" Red
25	532 16 59-87	Cable Battery Crd 56" Red
26	532 17 51-58	Fuse
27	873 51 04-00	Nut Keps Hex 1/4-20 unc
28	532 12 77-25	Cable Ground 6 Ga. 18" Black
29	532 12 13-05	Switch Plunger Normal N Gray
30	532 17 55-66	Switch Ignition
33	532 14 04-01	Key Ign
40	532 18 80-35	Harness Ign
41	871 11 04-08	Bolt Flk Fin Hex 1/4-20 unc x 1/2
42	532 13 15-63	Cover Terminal Red
43	532 17 88-61	Solenoid
48	532 14 08-44	Adapter Ammeter Rectangular
50	532 17 46-51	Switch PTO
51	532 14 04-05	Ring Retainer PTO
52	532 14 19-40	Protection Wire Loop
58	532 16 94-19	Buzzer Crd
59	532 18 03-79	Switch FBI CRD
66	817 49 06-08	Screw Thdrol 3/8-16 x 1/2 Ty-Tt
81	532 10 97-48	Relay Asm

NOTE: All component dimensions given in U.S. inches.
1 inch = 25.4 mm.

REPAIR PARTS

TRACTOR- -MODEL NO. 165H107RB (BA165H107RBD), PRODUCT 964 77 27-02 CHASSIS AND ENCLOSURES

KEY NO.	PART NO.	DESCRIPTION
1	532 17 46-20	Chassis Assembly
2	532 18 03-84	Drawbar
3	817 06 06-12	Screw 3/8-16 x .75 smqml Tap/R.Z
5	532 15 52-72	Bumper Hood/Dash
6	532 18 44-19	Saddle
8	532 12 64-71	Clip Insulator 13/32 Mtg. Hole
9	532 18 56-23	Dash
10	872 14 06-08	Bolt, Carriage 3/8-16 x 3/4
11	532 17 49-96	Panel, Dash, L.H.
13	532 17 52-55	Panel, Asm. Dash R.H.
15	874 18 05-12	Screw, Machine, Truss Head 5/16-18 unc x 3/4
16	873 51 05-00	Nut
17	532 18 65-80	Hood Assembly
18	532 12 69-38	Bumper Hood
24	874 78 06-16	Bolt
25	819 13 13-12	Washer 13/32 x 13/16 x 12 Ga.
26	873 80 06-00	Nut
28	532 18 35-52	Grille/Lens Asm (Includes Nos. 29 & 212)
29	532 18 58-46	Lens, Grille
30	532 18 25-06	Fender
31	532 16 51-56	Bracket, Fender Support
33	532 18 25-07	Footrest, L.H.
34	532 18 25-08	Footrest, R.H.
35	872 11 06-06	Bolt
37	817 49 05-08	Screw Thdrol 5/16-18 x 1/2 TYT
38	532 18 17-48	Pivot Bracket Assembly
39	532 17 47-14	Bracket Pivot
69	532 14 24-32	Screw Hex Wsh Hi-Lo 1/4-1/2
89	532 18 13-60	Console CRD

KEY NO.	PART NO.	DESCRIPTION
145	532 15 65-24	Rod Pivot Chassis/Hood
162	532 18 03-82	Bracket Exten Chassis Lh CRD
163	532 18 03-83	Bracket Exten Chassis Rh CRD
164	532 16 56-05	Support Battery CRD
165	532 18 13-56	Cover Battery CRD
166	532 17 18-75	Screw
170	532 17 88-62	Backplate Asm. CRD
171	872 14 06-20	Bolt Hex 3/8-16 x 2-1/2 Gr. 5
172	819 13 20-16	Washer 13/32 x 1-1/4 x 16 Ga.
173	873 51 06-00	Nut, Keps Hex 3/8-16 unc
175	532 18 82-03	Guard Door Rear CRD
179	532 18 82-02	Rod Pivot FBI CRD
184	532 17 46-62	Bracket Actuator Bagger CRD
185	532 18 11-01	Knob Rod Brake Parking
186	532 16 07-93	Latch Asm Mulch/Bagger
187	532 12 50-04	Nut Weld
188	819 06 12-16	Washer #10
189	810 07 10-00	Washer Lock #10
190	871 08 10-10	Screw Pan Hd Phillip 10-24 x 5/8
198	532 16 89-37	Nut Push
205	817 49 06-08	Screw
207	817 67 05-08	Screw 5/16-18 x 1/2
208	817 67 06-08	Screw Thdrol 3/8-16 x 1/2
209	817 00 06-12	Screw Hex Wsh Thdrol 3/8-16
212	532 18 35-50	Insert Lens Reflective
256	532 18 13-61	Cover Fender Rack
265	532 18 57-04	Seal RH Side Bagger
266	532 18 57-03	Seal LH Side Bagger

NOTE: All component dimensions given in U.S. inches.
1 inch = 25.4 mm.

REPAIR PARTS

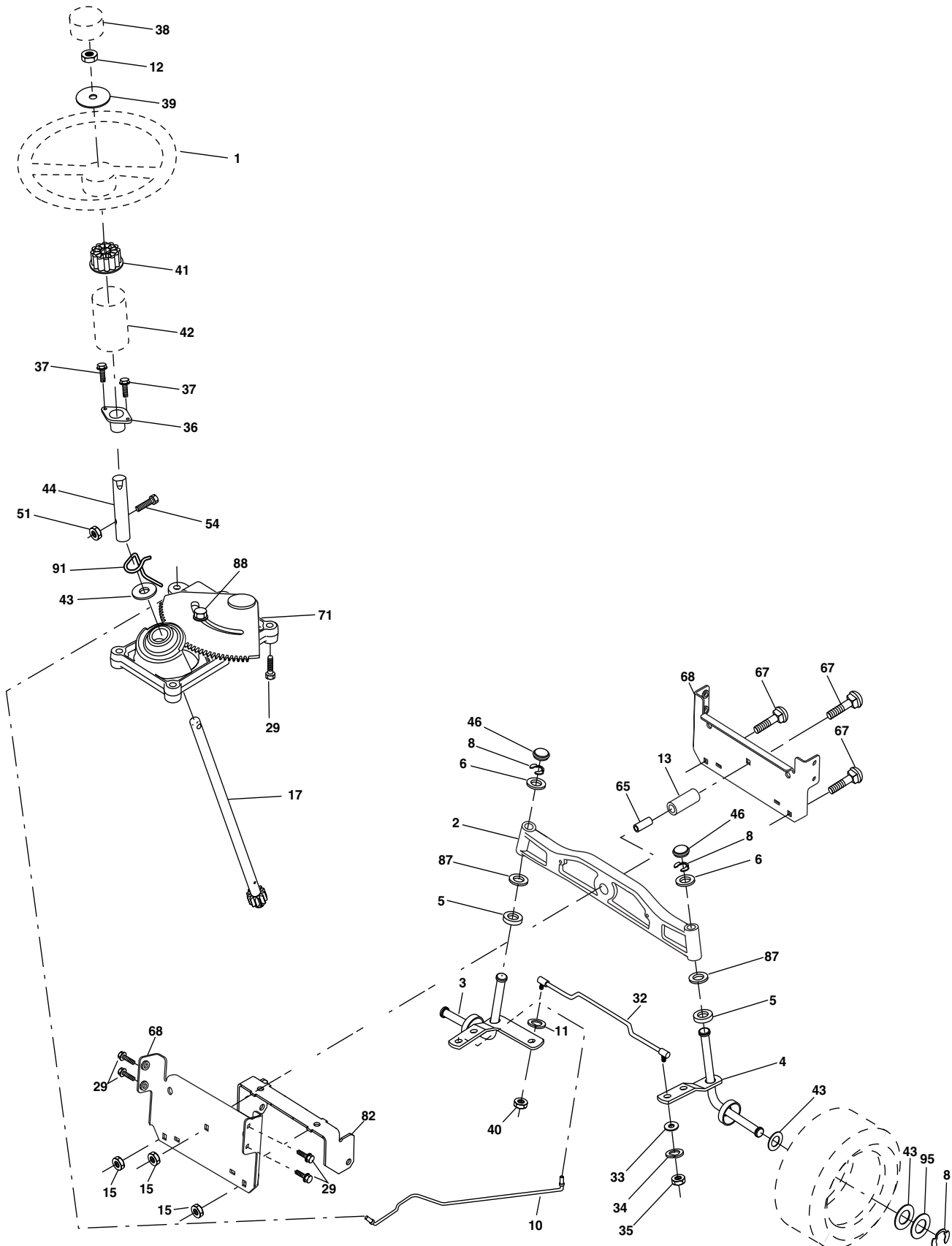
TRACTOR- -MODEL NO. 165H107RB (BA165H107RBD), PRODUCT 964 77 27-02 DRIVE

KEY NO.	PART NO.	DESCRIPTION	KEY NO.	PART NO.	DESCRIPTION
1	-----	Transaxle Hydro Gear 321-0510 (Order parts from transaxle manufacturer)	96	532 12 47-88	Spring, Retainer 1"
8	532 16 56-19	Rod, Shift Fender Adjust Lt	112	819 09 12-10	Washer 9/32 x 3/4 x 10 Ga.
9	532 18 02-20	Clutch Elec.	116	872 14 06-08	Bolt RDHD Spnk 3/8-16 x 1
10	876 02 04-16	Pin, Cotter 1/8 x 1	120	873 90 06-00	Nut Lock Flg. 3/8-16 unc
14	810 04 04-00	Washer, Lock Hvy Helical	145	874 49 05-44	Bolt Hex FGHD 5/16-18 x Gr 5
16	873 80 05-00	Nut, Lock Hex w/Ins 5/16-18 unc	150	532 16 58-50	Bushing, Bellcrank Grnd Dr
17	532 12 61-97	Washer 1 1/2 x 15/32 x 1/4	151	819 13 32-10	Washer 13/32 x 2 x 10 Ga.
20	871 17 07-64	Bolt Hex 7/16-20 x 4 x Gr. 5	156	532 16 60-02	Washer Srrted 5/16 ID x 1.125
21	532 14 08-45	Knob	158	532 16 55-89	Bracket Shift Mount
22	532 17 56-07	Rod, Brake	159	532 18 39-00	Hub Shift
24	873 35 06-00	Nut	160	532 16 98-45	Washer Nylon
25	532 10 68-88	Spring, Rod, Brake	161	872 14 04-06	Bolt Rdhd Sqnk 1/4-20 x 3/4 Gr 5
26	819 13 13-16	Washer 13/32 x 13/16 x 16 Ga.	162	873 68 04-00	Nut Crownlock 1/4-20 unc
27	876 02 04-12	Pin, Cotter 1/8 x 3/4	163	874 78 04-16	Bolt Hex Fin 1/4-20 unc x 1 Gr 5
28	532 17 57-65	Rod, Parking Brake	165	532 16 56-23	Bracket Pivot Lever
29	532 07 16-73	Cap, Parking Brake	166	817 49 05-10	Screw 5/16-18 x 5/8
30	532 16 95-92	Bracket, Mfg. Transaxle	167	532 16 55-88	Bracket Support Shift CRD
34	532 17 55-78	Shaft, Asm Pedal Foot CRD	168	532 16 54-92	Bolt Shoulder 5/16-18 x .561
35	532 12 01-83	Bearing, Nylon	169	532 16 55-80	Plate Fastening Lt
36	819 21 16-16	Washer 21/32 x 1 x 16 Ga.	171	817 49 06-08	Screw Thdrol 3/8-16 x 1/2 Ty-Tt
37	532 12 49-63	Pin, Roll 3/16 x 1"	172	532 17 02-71	Shaft Asm Shifter Frt CRD
38	532 16 59-36	Pulley Flat Composite 3.06"	177	532 16 59-32	Keeper Flat Idler 3.06" CRD
39	532 17 39-37	Bolt	178	532 16 59-33	Keeper Belt Idler 1.88" CRD
40	532 12 49-65	Spacer, Split 395 x 59 Bzp	179	532 12 09-58	Washer Sintered
42	819 13 13-12	Washer 13/32 x 13/16 x 12 Ga.	180	532 16 56-30	Pulley, Idler, Flat 1.88"CRD
43	819 11 10-12	Washer 11/32 x 5/8 x 12 Ga	181	532 18 02-11	Bracket Idler Ground Drive CRD
47	532 12 77-83	Pulley, Idler, V Groove Plasic	182	532 18 26-82	Keeper Belt 2.5" Od V-Idler CRD
48	532 15 44-07	Bellcrank Clutch Grnd Drv	183	532 18 60-07	Pulley V-Idler 2.50" Od CRD
49	532 12 32-05	Retainer, Belt Style Spring	184	817 49 06-44	Screw Hexwsh Thdrol 3/8-16 x 2-3/4
50	872 11 06-12	Bolt Carr SH 3/8-16 x 1-1/2 Gr.5	185	532 17 00-08	Link Shift
51	873 80 06-00	Nut, Crownlock 3/8-16 unc	186	532 16 56-14	Hub Tapered Round CRD
52	873 6805-00	Nut Crownlock 5/16-18	187	817 58 05-20	Screw Thdrol 5/16-18 x 1.25
53	532 10 57-10	Link, Clutch 7.66	197	532 16 96-13	Nyliner Snap-In 5/8
55	532 10 57-09	Spring, Return, Clutch	199	532 16 96-12	Bolt Shoulder 5/16-18 unc
56	817 06 06-20	Screw 3/8-16 x 1-1/4	200	872 14 05-08	Bolt RDHD SQNK 5/16-18 x 1
57	532 17 01-40	V-Belt Kev 112" 0650 CRD	202	872 11 06-14	Bolt Carr. Sh. 3/8-16 x 1-3/4 Gr. 5
62	532 12 48-72	Cover, Pedal	207	532 16 98-45	Washer Nylon Rear
63	532 18 03-97	Pulley Engine	212	532 14 52-12	Nut Hex Flange Lock
65	810 04 07-00	Washer	214	532 17 56-09	Shaft Asm. Brake
66	532 15 47-78	Keeper, Belt Engine F-Proof	215	532 17 56-52	Rod Brake Hydro
71	532 16 91-83	Strap, Torque, Lh	243	532 17 82-89	Bracket Anti-Rotate
73	532 16 91-82	Strap, Torque, Rh	250	817 06 06-12	Screw 3/8-16 x .75
74	532 13 70-57	Spacer, Split	255	532 17 56-08	Brace Shaft Brake Mtg.
75	532 12 17-49	Washer 25/32 x 1-1/4 x 16 Ga.	258	532 17 80-62	Clip Retainer
76	812 00 00-01	Ring, E	259	532 18 02-12	Bracket Pulley
77	532 12 35-83	Key, Square	260	532 18 17-81	Bracket Idler Chassis
78	532 12 17-48	Washer 25/32 x 1-5/8 x 16 Ga.	261	532 13 14-94	Pulley Idler Flat
81	532 17 00-06	Asm, Shaft	263	817 00 06-12	Screw 3/8-16 x 3-4
82	532 16 57-11	Spring, Torsion	269	532 18 24-02	Guard Muffler OHV B & S RH
83	819 17 12-16	Washer 17/32 x 3/4 x 16 Ga.	275	819 13 16-14	Washer 13/32 x 1 x 14 Ga.
84	532 17 00-07	Link, Transaxle			
95	532 17 00-15	Control Asm Bypass Hydro			

NOTE: All component dimensions given in U.S. inches
1 inch = 25.4 mm

REPAIR PARTS

TRACTOR- -MODEL NO. 165H107RB (BA165H107RBD), PRODUCT 964 77 27-02
STEERING ASSEMBLY



steering_pl.lt_49

REPAIR PARTS

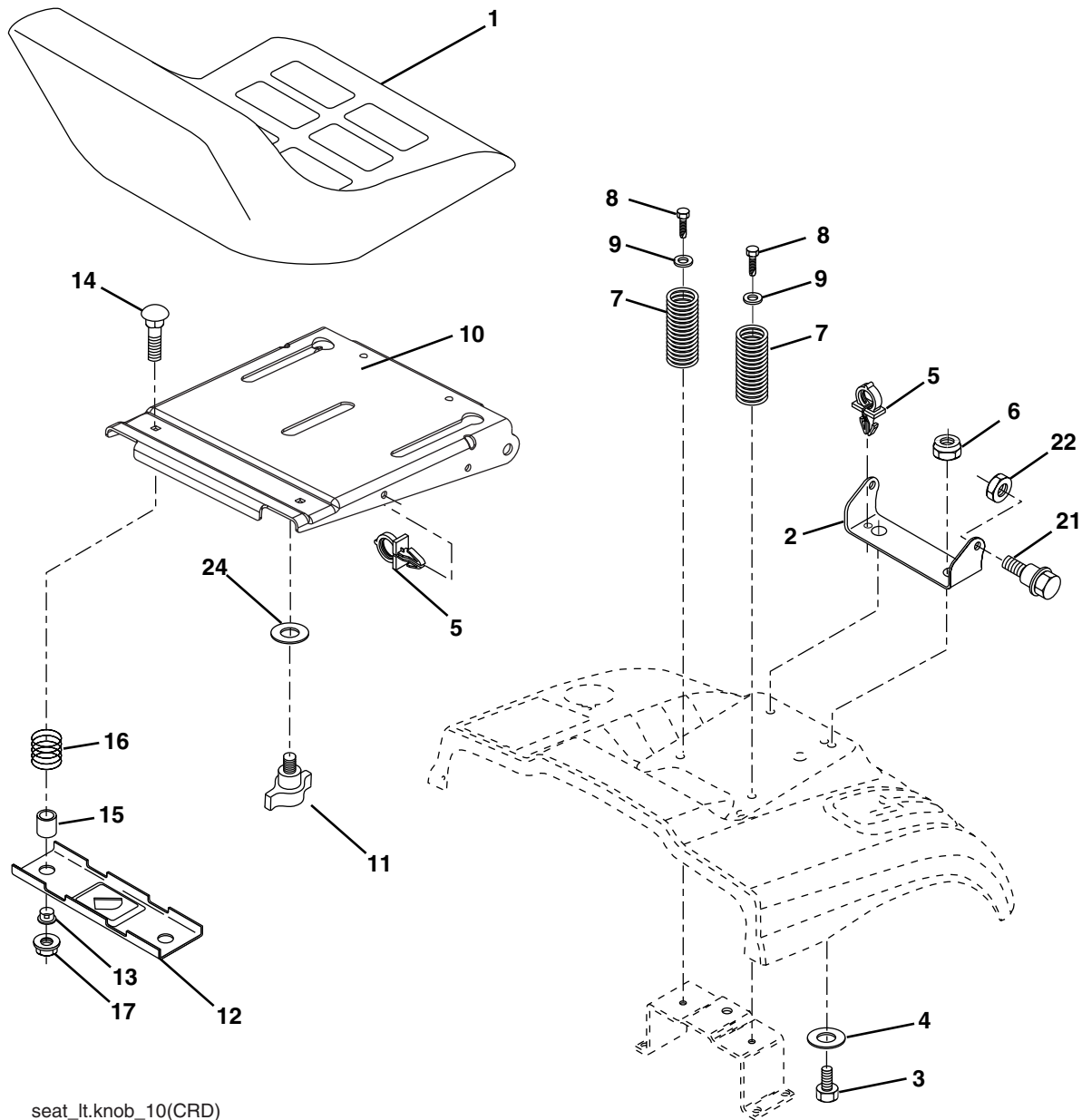
TRACTOR- -MODEL NO. 165H107RB (BA165H107RBD), PRODUCT 964 77 27-02 STEERING ASSEMBLY

KEY NO.	PART NO.	DESCRIPTION
1	532 17 20-92	Steering Wheel
2	532 18 47-06	Axle Assembly
3	532 16 98-40	Spindle Assembly, L.H.
4	532 16 98-39	Spindle Assembly, R.H.
5	532 12 49-31	Bearing, Race, Thrust, Hardened
6	532 12 17-48	Washer 25/32 x 1-5/8 x 16 Ga.
8	812 00 00-29	Ring, Klip
10	532 17 51-21	Link, Drag
11	810 04 06-00	Washer, Lock
12	873 94 08-00	Nut Hex Jam Toplock 1/4-20 unf
13	532 13 65-18	Spacer Brg Axle Front
15	532 14 52-12	Nut, Hexflange Lock
17	532 18 06-41	Shaft Assembly, Steering
29	817 00 06-12	Screw, 3/8-16 x 3/4
32	532 17 18-88	Rod, Tie
33	819 11 12-16	Washer 11/32 x 3/4 x 16 Ga.
34	810 04 05-00	Washer Lock Hvy Hlcl Spr 5/16
35	873 54 05-00	Nut Crownlock 5/16-24 unf
36	532 15 50-99	Bushing, Steering
37	532 15 29-27	Screw TT #10-32 x 5 x 3/8 Flange
38	532 17 20-93	Cap Wheel Steer
39	819 18 24-11	Washer 9/16 x 1-1/20 x 11 Ga.
40	873 54 06-00	Nut 3/8-24
41	532 15 99-45	Adaptor, Steering Wheel
42	532 16 96-33	Boot, Steering Dash P/L Mtl
43	532 12 17-49	Washer 25/32 x 1-1/4 x 16 Ga.
44	532 18 06-40	Extension Steering Non-Adjust
46	532 12 12-32	Cap, Spindle
51	873 54 04-00	Nut Crownlock 1/4-28
54	871 13 04-20	Bolt Hex 1/4-28 unf x 1 1/4
65	532 16 03-67	Spacer Brace Axle
67	872 11 06-18	Bolt Rdhd Sq 3/8-16 unc x 2-1/4
71	532 17 51-46	Steering Asm.
68	532 16 98-27	Brace Axle
82	532 16 98-35	Bracket Susp Chassis Front
87	532 17 39-66	Washer Flat .781 x 1-1/2 x .14
88	532 17 51-18	Bolt Shoulder 7/16-20 unc
91	532 17 55-53	Clip Steering
95	532 18 89-67	Washer Hardened

NOTE: All component dimensions given in U.S. inches.
1 inch = 25.4 mm.

REPAIR PARTS

TRACTOR- -MODEL NO. 165H107RB (BA165H107RBD), PRODUCT 964 77 27-02
SEAT ASSEMBLY



seat_lt.knob_10(CRD)

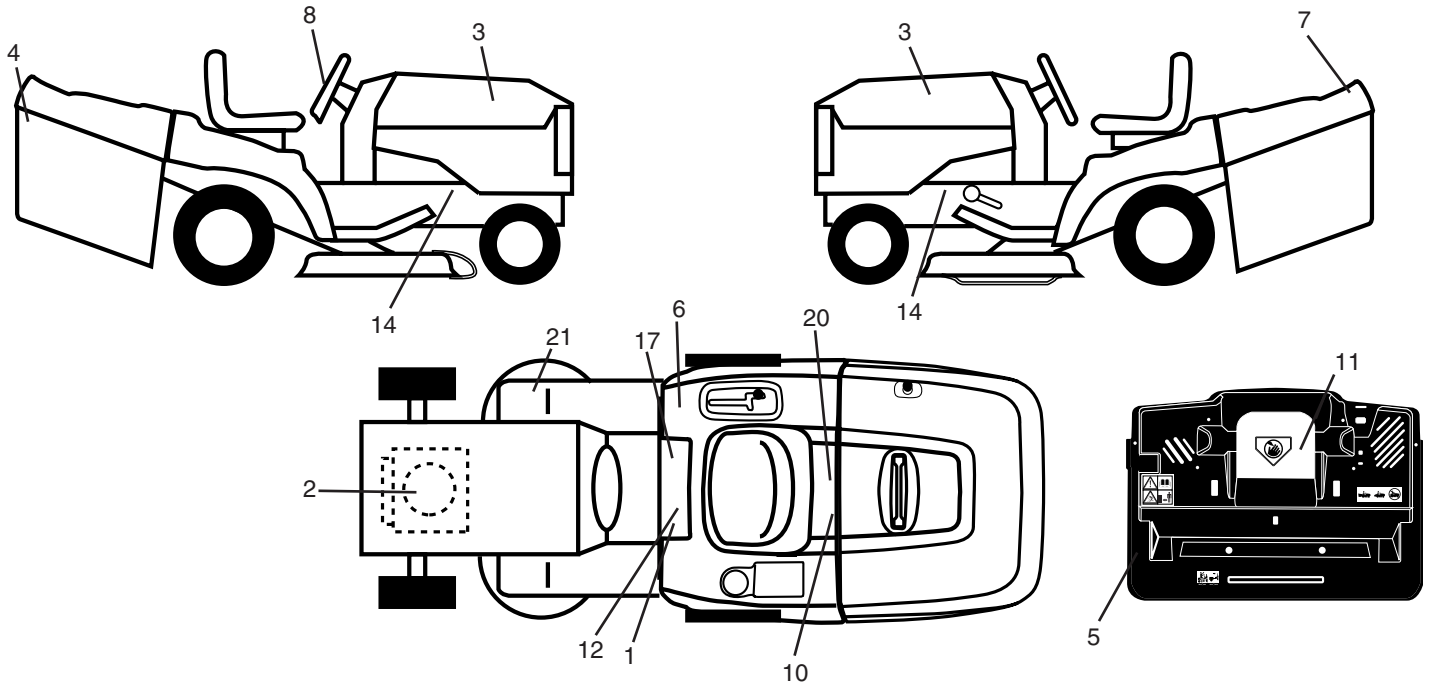
KEY NO.	PART NO.	DESCRIPTION
1	532 18 87-05	Seat
2	532 18 01-66	Bracket Pivot Fender
3	871 11 06-16	Bolt Fin Hex 3/8-16 unc x 1
4	819 13 16-10	Washer Flat 13/32 x 1 x 10 Ga.
5	532 14 50-06	Clip Push In Hinged
6	873 80 06-00	Nut Lock Hex 3/8-16 unc
7	532 12 41-81	Spring Seat Cprsn 2 250 Blk Zi
8	817 00 06-16	Screw 3/8-16 x 1-1/2
9	819 13 16-14	Washer 13/32 x 1 x 14 Ga.
10	532 18 01-86	Pan Pnt Seat (blk)
11	532 16 63-69	Knob Seat Adj Wingnut
12	532 12 12-46	Bracket Pnt Mounting Switch

KEY NO.	PART NO.	DESCRIPTION
13	532 12 12-48	Bushing Snap Blk Nyl 50 Id
14	872 05 04-12	Bolt Rdhd Sht Nk 1/4-20 x 1-1/2
15	532 13 43-00	Spacer Split
16	532 12 12-50	Spring Cprsn Plate SW 1.310 Ga.
17	532 12 39-76	Nut Lock 1/4 Lge Flg Gr. 5 Zinc
21	532 17 18-52	Bolt Shoulder 5/16-18 unc-2A
22	873 80 05-00	Nut Hex Lock w/Ins 5/16-18
24	819 17 19-12	Washer 17/32 x 1-3/16 x 12 Ga.

NOTE: All component dimensions given in U.S. inches.
1 inch = 25.4 mm

REPAIR PARTS

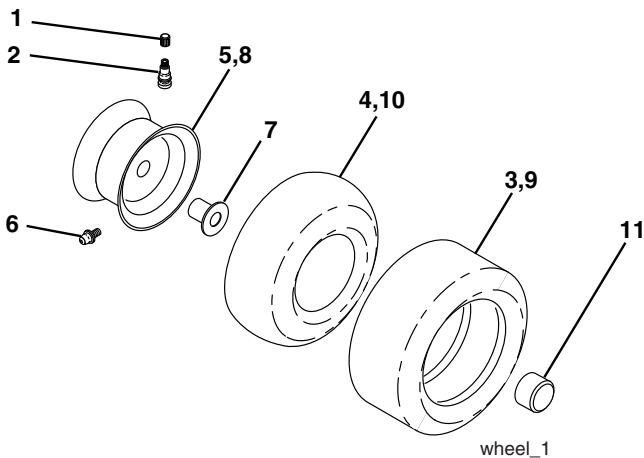
TRACTOR- -MODEL NO. 165H107RB (BA165H107RBD), PRODUCT 964 77 27-02 DECALS



KEY NO.	PART NO.	DESCRIPTION
1	532 14 54-98	Decal Read Owner's Manual Sym
2	532 18 95-04	Decal Hp Engine
3	532 18 96-91	Decal Hood
4	532 18 95-75	Decal Fender
5	532 18 04-35	Decal Rear Plate CRD Symbols
6	532 18 04-32	Decal 100 DBA/CE
7	532 18 26-21	Decal Bagger
8	532 18 96-98	Decal Steering Wheel
10	532 14 50-05	Decal Bat Dan/Poi P/L Sym Wpn
11	532 18 21-66	Decal Mower Cut Finger Symbol
12	532 15 97-37	Decal Brake/Clutch Symbol Lt

KEY NO.	PART NO.	DESCRIPTION
14	532 15 97-36	Decal Chassis Hot Muffler
17	532 14 08-37	Decal Saddle Brake Parking
20	532 16 69-60	Decal Bypass Fender CRD
21	532 16 62-86	Decal Hex Belt Sch
—	532 13 83-11	Decal Lift Handle
—	532 18 10-90	Pad Footrest RH
—	532 18 10-91	Pad Footrest LH
—	532 18 26-21	Decal Bagger Frame
—	532 18 51 69	Manual Operator's (Scand)
—	532 18 52-03	Manual Operator's (Euro)
—	532 18 94-04	Manual Parts

WHEELS & TIRES

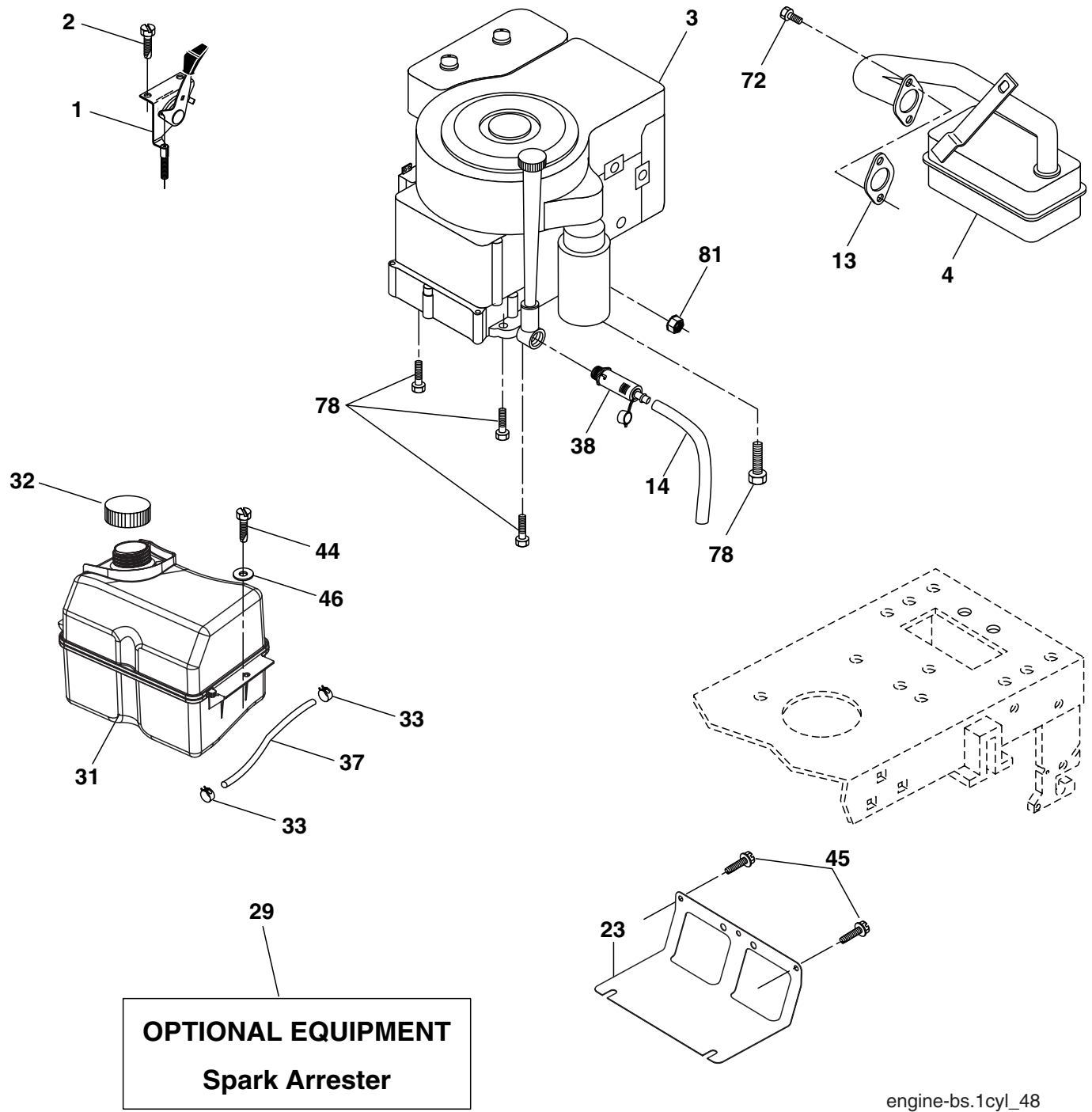


KEY NO.	PART NO.	DESCRIPTION
1	532 05 91-92	Cap Value Tire
2	532 06 51-39	Stem Value
3	532 10 62-22	Tire F Ts 15 x 6 0 - 6 Service
4	532 05 99-04	Tube Inner Front #35060
5	532 18 33-37	Rim Asm 6" front Service
6	532 12 49-57	Fitting Grease
7	532 12 49-59	Bearing Flange
8	532 18 33-38	Rim Asm 8" rear Service
9	532 12 20-82	Tire R Ts 20 x 10-8 Service
10	532 12 49-26	Tube Rear 9 5 X 8 Service
11	532 17 50-39	Cap Axle Blk 1 50 x 1 00
--	144334	Sealant, Tire (10 oz. tube)

NOTE: All component dimensions given in U.S. inches
1 inch = 25.4 mm

REPAIR PARTS

TRACTOR- -MODEL NO. 165H107RB (BA165H107RBD), PRODUCT 964 77 27-02
ENGINE



REPAIR PARTS

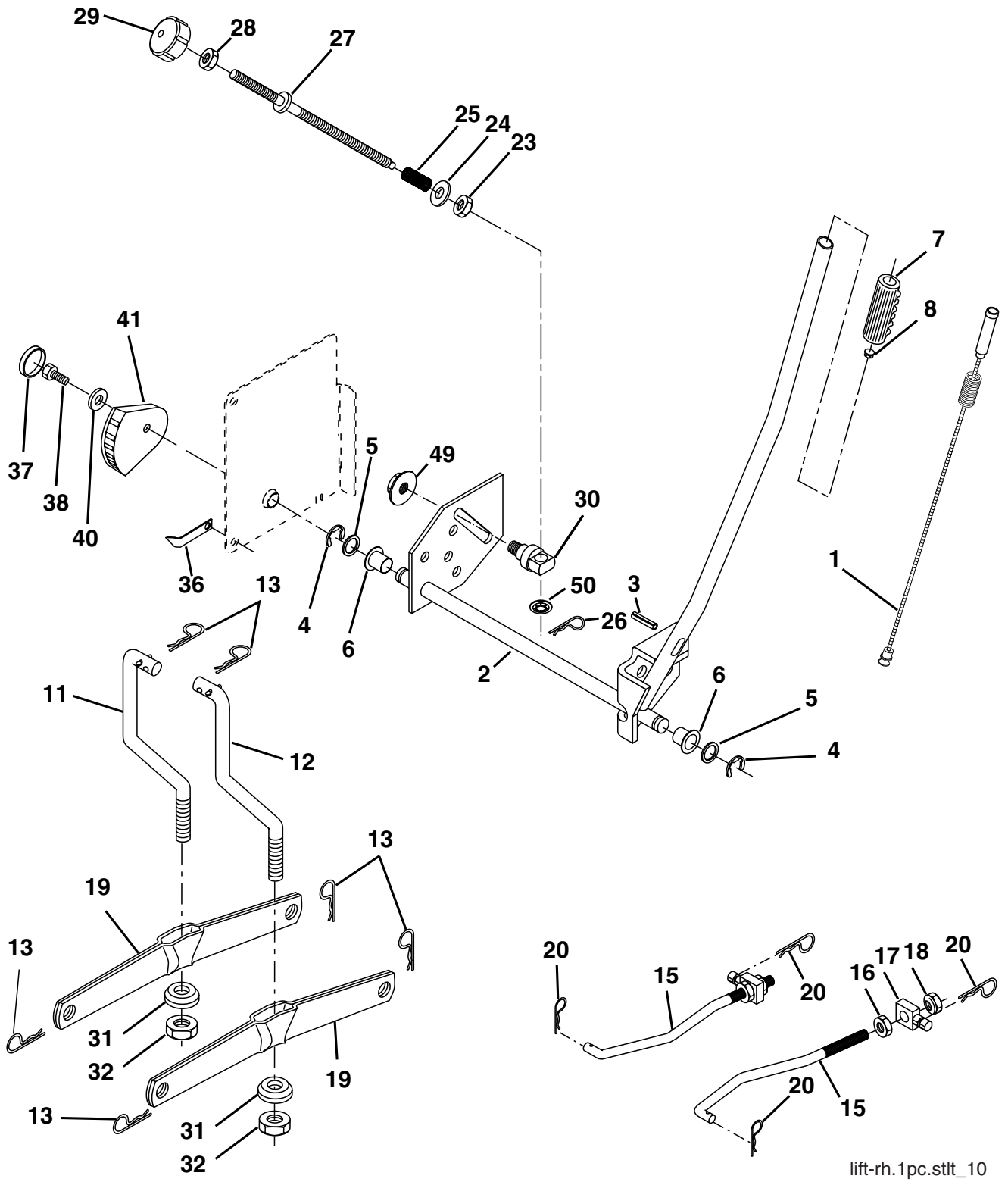
TRACTOR- -MODEL NO. 165H107RB (BA165H107RBD), PRODUCT 964 77 27-02
ENGINE

KEY NO.	PART NO.	DESCRIPTION
1	532 17 05-51	Control Throt/Ck
2	817 72 04-08	Screw Hex Thd Cut 1/4-20 x 1/2
3	-----	Engine B&S Model 31G777 (Order parts from engine manufacturer)
4	532 13 73-52	Muffler
13	532 16 52-91	Gasket Muffler
14	532 14 84-56	Tube Drain Oil Easy
23	532 16 98-37	Shield Brn/Dbr Guard
25	532 18 09-45	Control Choke
26	873 92 06-00	Nut Keps 3/8-24 unf
29	532 13 71-80	Kit Spark Arrestor (Flat Scrn)
31	532 18 55-34	Tank Fuel 2.00
32	532 14 05-27	Cap Asm Fuel W/sym Vented
33	532 12 34-87	Clamp Hose Blk
37	532 13 70-40	Line Fuel
38	532 18 16-54	Plug Drain Oil Easy
44	817 67 04-12	Screw Hexwsh thdrol 1/4-20 x 3/4
45	817 00 06-12	Screw Hexwsh Thdr 3/8-16 x 3/4
46	819 09 14-16	Washer 9/32 x 7/8 x 16 Ga.
62	810 04 05-00	Washer, Lock Hvy. Hlcl Spr 5/16
72	532 18 39-06	Screw Socket Head 5/16-18 x 1
78	817 06 06-20	Screw 3/8-16 x 1/4
81	873 51 04-00	Nut Keps Hex 1/4-20 unc

NOTE: All component dimensions given in U.S. inches
1 inch = 25.4 mm

REPAIR PARTS

TRACTOR- -MODEL NO. 165H107RB (BA165H107RBD), PRODUCT 964 77 27-02
MOWER LIFT



lift-rh.1pc.stlt_10

REPAIR PARTS

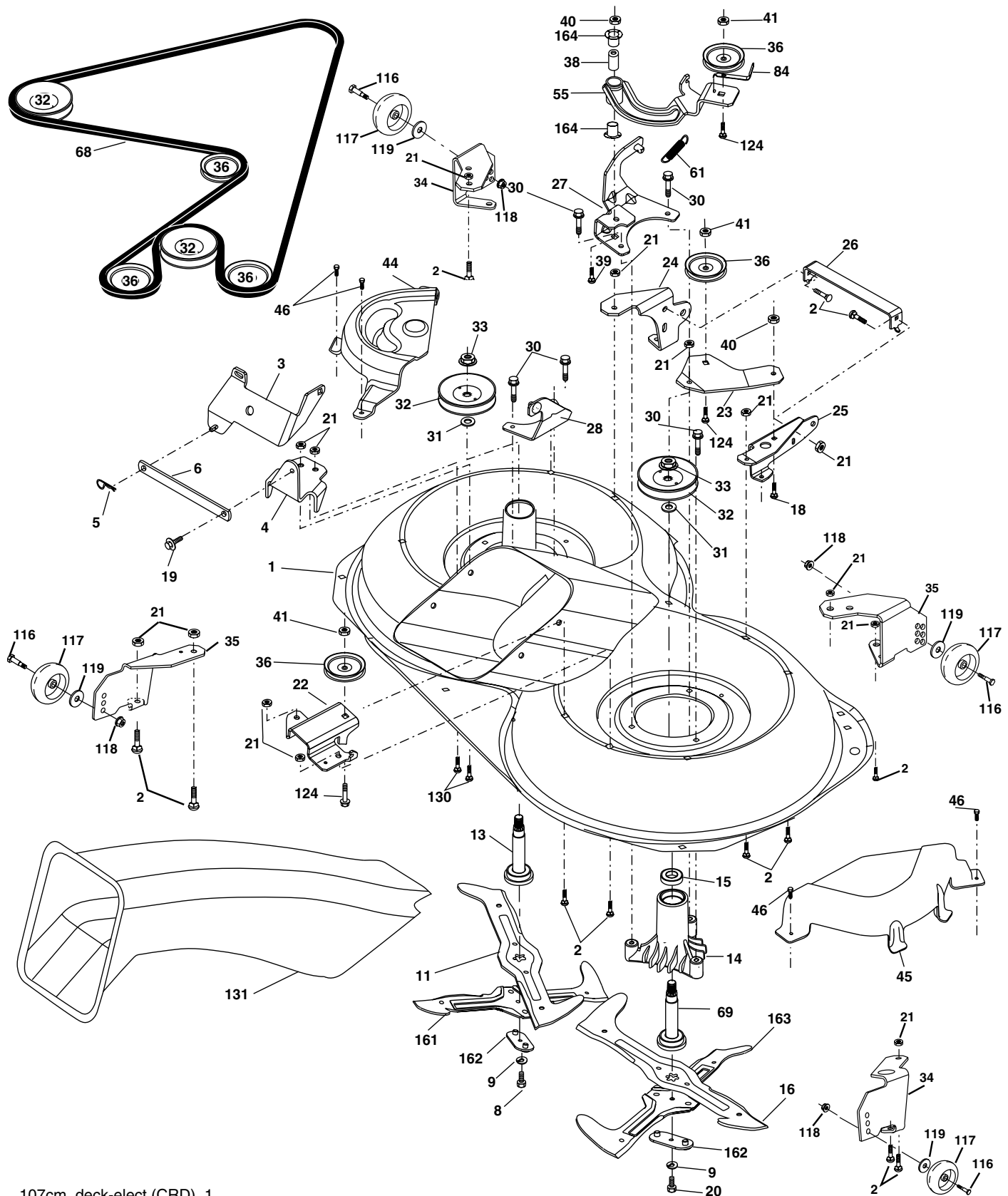
TRACTOR- -MODEL NO. 165H107RB (BA165H107RBD), PRODUCT 964 77 27-02
MOWER LIFT

KEY NO.	PART NO.	DESCRIPTION
1	532 15 94-61	Washer Asm Inner Spring W/Plunger
2	532 15 94-76	Shaft Asm. Lift
3	532 17 89-81	Pin Groove
4	812 00 00-02	E Ring #5133-62
5	819 21 16-21	Washer 21/32 x 1 x 21 Ga.
6	532 12 01-83	Bearing Nylong
7	532 12 56-31	Grip Handle Fluted
8	532 12 45-26	Button Plunger Black
11	532 16 58-29	Link Asm Lift L.H.
12	532 16 58-31	Link Asm Lift R.H.
13	532 12 46-70	Retainer Spring
15	532 17 32-88	Link Front
16	873 35 08-00	Nut Jam Hex 1/2-13 unc
17	532 17 56-89	Trunnion Blk Zinc
18	873 80 08-00	Nut Lock w/wsh 1/2-13 unc
19	532 13 98-68	Arm Suspension Mower
20	532 16 35-52	Retainer Spring
23	532 11 08-07	Nut Special
24	819 13 10-16	Washer 13/32 x 5/8 x 16 Ga.
25	532 12 48-74	Spring 2-1/8"
26	532 16 94-84	Retainer Clip
27	532 12 69-71	Rod Adj Lift Zinc 7.49 Wrk Lg
28	873 35 06-00	Nut Hex Jam 3/8-16 unc
29	532 13 80-57	Knob Inf 3/8-16 unc Blk w/sym
30	532 15 02-33	Trunnion Infin Height
31	532 16 98-65	Bearing, Pvt. Lift.
32	873 54 06-00	Nut Crownlock 3/8-24
36	532 15 50-97	Pointer Height Indicator
37	532 12 39-35	Plug Hole Blk 1.485/1.515 Dia
38	817 06 05-16	Screw 5/16-18 x 1
40	819 11 24-10	Washer 11/32 x 1-1/2 x 10 Ga.
41	532 12 39-34	Scale Ind Height Blk
49	532 14 52-12	Nut hex Flange Lock
50	532 11 04-52	Nut Push Phos & Oil

NOTE: All component dimensions given in U.S. inches
1 inch = 25.4 mm

REPAIR PARTS

TRACTOR- -MODEL NO. 165H107RB (BA165H107RBD), PRODUCT 964 77 27-02
MOWER



107cm_deck-elect.(CRD)_1

REPAIR PARTS

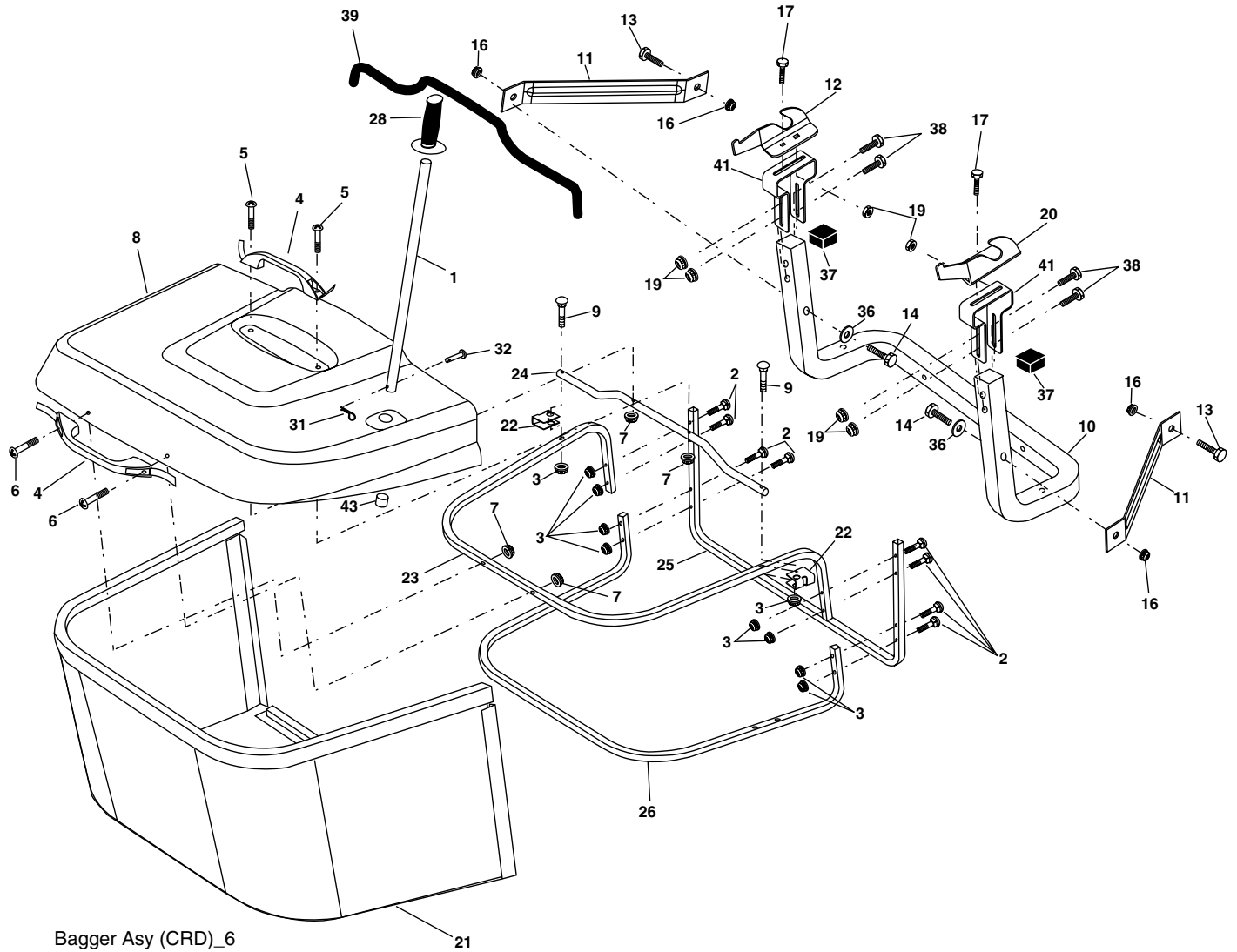
TRACTOR- -MODEL NO. 165H107RB (BA165H107RBD), PRODUCT 964 77 27-02
MOWER

KEY NO.	PART NO.	DESCRIPTION	KEY NO.	PART NO.	DESCRIPTION
1	532 16 91-60	Housing Asm. Mower 107 CRD	38	532 16 98-51	Spacer Hub Arm Idler 107 CRD
2	872 14 05-06	Bolt Rdhd Sqnk 5/16-18 unc x 3/4	39	872 11 06-22	Bolt Rdhd 3/8-16 unc x 2-3/4 Gr. 5
3	532 16 55-69	Bracket Asm. S-Bar Chass 92 CRD	40	873 90 06-00	Nut Lock 3/8-16 unc
4	532 16 91-67	Bracket Bar Sway Deck 107 CRD	44	532 17 55-38	Cover Mandrel Lh 107 CRD
5	532 12 46-70	Retainer Spring	45	532 17 55-39	Cover Mandrel Rh 107 CRD
6	532 16 55-57	Bar Sway 92 CRD	46	532 13 77-29	Screw Thd Roll 1/4-20 x 5/8
8	532 18 17-12	Bolt 3/8-24 x 1.25 Gr. 8 Patched	55	532 16 98-49	Arm Idler 107 CRD
9	810 03 06-00	Washer Lock Hvy 3/8 Unplated	61	532 17 51-59	Spring Tension Belt
11	532 18 05-83	Blade 3-1 Lh 107 CRD	68	532 16 91-78	Hex-Belt 107 Mower
13	532 13 76-45	Shaft Asm. W/Lower Bearing	69	532 16 54-82	Shaft Asm W/Lwr Brg Rh Thd CRD
14	532 12 87-74	Housing Mandrel Vented (Machd)	84	532 15 60-85	Keeper Belt Idler
15	532 11 04-85	Bearing Ball Mandrel	116	532 18 42-19	Bolt Shoulder
16	532 18 05-84	Blade 3-1 Rh 107 CRD	117	532 13 39-57	Wheel Gauge Donut Wide
18	872 11 06-06	Bolt RDHD SQNK 38/-16 x 3/4 Gr. 5	118	873 93 06-00	Nut Centerlock 3/8-16 unc
19	532 13 28-27	Bolt Shoulder 5/16-18 Thd Form	119	819 12 14-14	Washer 3/8 x 7/8 x 14 Ga.
20	532 18 17-13	Bolt 3/8-24 x 1.25 Gr. 8 Ptch Lhthd	124	872 11 06-12	Bolt Carr Sh 3/8-16 x 1-1/2 Gr. 5
21	873 68 05-00	Nut Crown Lock 5/16-18	130	872 11 05-06	Bolt Rdhdsqnk 5/16-18 unc x 3/4
22	532 16 91-65	Bracket Idler Sprt RR 107 CRD	131	532 16 56-61	Chute Bagger CRD 92 cm
23	532 16 91-66	Bracket Idler Sprt RF 107 CRD	161	532 18 04-24	Blade Cross LH 107
24	532 16 91-70	Bracket Suspension LF 107 CRD	162	532 18 08-78	Adapter Weldnut Blade 107
25	532 16 91-71	Bracket Suspension RF 107 CRD	163	532 18 04-25	Blade Cross Rh 107
26	532 16 52-37	Brace Support Susp Frt CRD	164	532 12 49-37	Bearing
27	532 16 91-72	Bracket Asm. Susp RR 107 CRD	--	532 18 18-57	Mandrel Assembly (Includes Housing, Shaft and Shaft Hardware Only - Pulley Not Included)
28	532 16 91-68	Bracket Asm. Susp LR 107 CRD	--	532 18 18-58	Mandrel Asm CRD Lh Threads SVC
30	532 17 39-84	Screw Thd Rolling D.D. PT	--	532 18 17-70	Replacement Mower Complete
31	532 18 76-90	Washer Spacer Mower Vented	--	532 18 18-57	Mandrel Asm CRD Service
32	532 17 57-07	Mandrel Pulleys			
33	532 17 83-42	Nut Flg Top Lock			
34	532 17 95-09	Bracket Gauge Wheel Lf 107 CRD			
35	532 17 62-92	Bracket Gauge Wheel Rf 107 CRD			
36	532 14 67-63	Pulley Idler V-Groove Dim 4.25			

NOTE: All component dimensions given in U.S. inches
1 inch = 25.4 mm

REPAIR PARTS

TRACTOR- -MODEL NO. 165H107RB (BA165H107RBD), PRODUCT 964 77 27-02
BAGGER



Bagger Asy (CRD)_6

REPAIR PARTS

TRACTOR- -MODEL NO. 165H107RB (BA165H107RBD), PRODUCT 964 77 27-02
BAGGER

KEY NO.	PART NO.	DESCRIPTION
1	532 16 52-49	Tube Handle Bagger CRD
2	872 14 04-16	Bolt Carriage 1/4-20 X 2.0 Gr. 5
3	532 12 39-76	Nut Lock 1/4 Lge Flg Gr. 5 Zinc
4	532 16 99-16	Handle Bagger w/Lvrs Gr. 5 Zinc
5	874 98 10-24	Screw Pan Head #10-24 x 1.50 Blk
6	874 98 10-32	Screw Pan Hd
7	873 40 10-00	Nut Wiz Lock Hex Serr/Hd #10-24
8	532 18 25-14	Cover Bagger
9	872 14 04-18	Bolt Carriage 1/4-20 x 2.25d x Gr. 5
10	532 18 12-82	Tube Support Bagger CRD
11	532 16 57-19	Bracket Support Upper Bag CRD
12	532 18 88-48	Bracket Pivot LH
13	872 11 06-06	Bolt Rdhd Sht Sqnk 3/8-16 x 3/4
14	874 52 06-36	Bolt Hex 3/8-16 x 2-1/4 Gr. 5
16	873 90 06-00	Nut Lock Flg 3/8-16 Unc
17	872 14 05-06	Bolt Rdhd Sht Sqnk 5/16-18 unc x 3/4
18	819 11 12-16	Washer 11/32 x 3/4 x 16
19	873 90 05-00	Nut Lock Hex Flange 5/16-18
20	532 18 88-47	Bracket Pivot RH
21	532 18 08-80	Bag Asm CRD
22	532 16 57-81	Bracket Side Bagger CRD
23	532 16 57-82	Tube Upper Bagger CRD
24	532 16 57-83	Tube Pivot Bagger CRD
25	532 18 01-24	Tube Front Bagger CRD
26	532 16 57-85	Tube Lower Bagger CRD
28	532 16 57-87	Grip Handle Black
31	532 16 94-84	Retainer
32	532 12 68-75	Rivet Rd Hd Drilled 3/8 Dia
36	819 13 20-16	Washer 13/32 x 1-1/4 x 16 Ga.
37	532 17 54-01	Plug Support Bagger CRD
38	872 01 05-20	Bolt 5/16-18 x 2-1/2
39	532 18 09-85	Seal
41	532 16 96-83	Bracket Vert Adj Bagger CRD
42	873 80 05-00	Nut Lock Hex W/Ins 5/16-18 unc
43	532 17 40-83	Plug Tubing end

NOTE: All component dimensions given in U.S. inches
1 inch = 25.4 mm

SERVICE NOTES

LIMITED WARRANTY

The Manufacturer warrants to the original consumer purchaser that this product as manufactured is free from defects in materials and workmanship. For a period of one (1) year from date of purchase by the original consumer purchaser, we will repair or replace, at our option, without charge for parts or labor incurred in replacing parts, any part which we find to be defective due to materials or workmanship. This Warranty is subject to the following limitations and exclusions.

1. This warranty does not apply to the engine. Please contact your nearest dealer where they will send the machine to the engine manufacturer.
2. Transportation charges for the movement of any power equipment unit or attachment are the responsibility of the purchaser. Transportation charges for any parts submitted for replacement under this warranty must be paid by the purchaser unless such return is requested by your dealer.
3. Battery Warranty: On products equipped with a Battery, we will replace, without charge to you, any battery which we find to be defective in manufacture, during the first ninety (90) days of ownership. After ninety (90) days, we will exchange the Battery, charging you 1/12 of the price of a new Battery for each full month from the date of the original sale. Battery must be maintained in accordance with the instructions furnished.
4. The Warranty period for any products used for rental or commercial purposes is limited to 90 days from the date of original purchase.
5. This Warranty applies only to products which have been properly assembled, adjusted, operated, and maintained in accordance with the instructions furnished. This Warranty does not apply to any product which has been subjected to alteration, misuse, abuse, improper assembly or installation, delivery damage, or to normal wear of the product.
6. Exclusions: Excluded from this Warranty are belts, blades, blade adapters, normal wear, normal adjustments, standard hardware and normal maintenance.
7. In case of any problem within the boundaries of this warranty, contact the nearest department store, indicate the model number, serial number and the date of purchase of your machine. This warranty does not apply to accidental damages. All implicit warranties are limited to the same time frames. Or contact:

E.M. Services
54 Rue Lambrechts
92400 Courbevoie
France
Telephone: (1) 46678078
Fax: (1) 46678095

THIS WARRANTY DOES NOT APPLY TO INCIDENTAL OR CONSEQUENTIAL DAMAGES. ANY IMPLIED WARRANTIES ARE LIMITED TO THE SAME TIME PERIODS STATED HEREIN.

Electrolux Outdoor Products Service Contacts

BELGIQUE/BELGIË

Electrolux Outdoor Products
Tel: 02 363 0311, Fax: 02 363 0391

ČESKÁ REPUBLIKA

Electrolux, spol. S.r.o., oz Electrolux Outdoor Products,
Na Krecku 365 Praha 10 - Horní Mecholupy
Tel: 02/7487 0164, Info-linka: 0800/110 220
Internet: www.partner-flymo.cz E-mail: info@husqvarna.cz

DANMARK

Electrolux Outdoor Products, Flymo/Partner A/S,
Lundtoftegaardsvej 93A, DK 2800 Kgs.Lyngby
Tel: 45 87 75 77, Fax: 45 93 33 08 www.flymo-partner.dk

DEUTSCHLAND

Electrolux Outdoor Products
Tel: 097 21 7640, Fax: 097 21 764202

ESTONIA

Electrolux Estonia Ltd (Electrolux Eesti AS)
Tel: (372) 6650010

FRANCE

Electrolux Outdoor Products
Tel 01 46 67 8141, Fax 01 43 34 2491

FINLAND SUOMI

Electrolux Outdoor Products Finland
Tel: 00 39611, Fax: 00 39 612632

ITALIA

McCulloch Italiana s.r.l. - Via Como 72, 23868 Valmadrera
(LECCO) - ITALIA, Tel: 800 017829, Fax: 0341 581671

IRELAND

Electrolux Outdoor Products
Tel: 01 4565222, Fax: 01 4568551

MAGYARORSZÁG

Electrolux Lehel Kft
Tel: 00 36 1 251 41 47

NORGE

Electrolux Outdoor Products
Tel: 69 10 47 90

NEDERLAND

Electrolux Outdoor Products BV
Tel: 0172-468322, Fax: 0172-468219

ÖSTERREICH

HUSQVARNA Zentralwerksttte, Industriezeile 36, 4020 LINZ,
Tel: 0732 770101-60, Fax: 0732 795922

POLSKA

Electrolux Poland Sp. z.o.o. Husqvarna, 01-612 Warszawa
Myslowicka 10/2
Tel:- (22) 8332949

SLOVENIJA

HUSQVARNA-Ges.m.b.H. Nfg. KG, Industriezeile 36, 4020 LINZ,
Tel: 0732 77 01 01-0, Fax: 0732 77 01 01.40
Internet: www.husqvarna.at E-mail: office@husqvarna.co.at

SLOVENSKA

Electrolux Slovakia s.r.o., Borova Sihot 211, 033 01 Lipt. Hradok
Tel: 044 522 14 19, Fax: 044 522 14 18, www.flymo-partner.sk

SCHWEIZ/SUISSE/SUIZZERA

Electrolux Outdoor Products
Tel 062 889 93 50 / 889 94 25, Fax 062 889 93 60 / 889 94 35

SVERIGE

Electrolux Outdoor Products, Sverige
Tel: 036 û 14 67 00, Fax: 036 û 14 60 70

UNITED KINGDOM

Electrolux Outdoor Products, United Kingdom
Tel: 01325 300303, Fax: 01325 310339

McCULLOCH^{PM}

www.electrolux.com/mcculloch